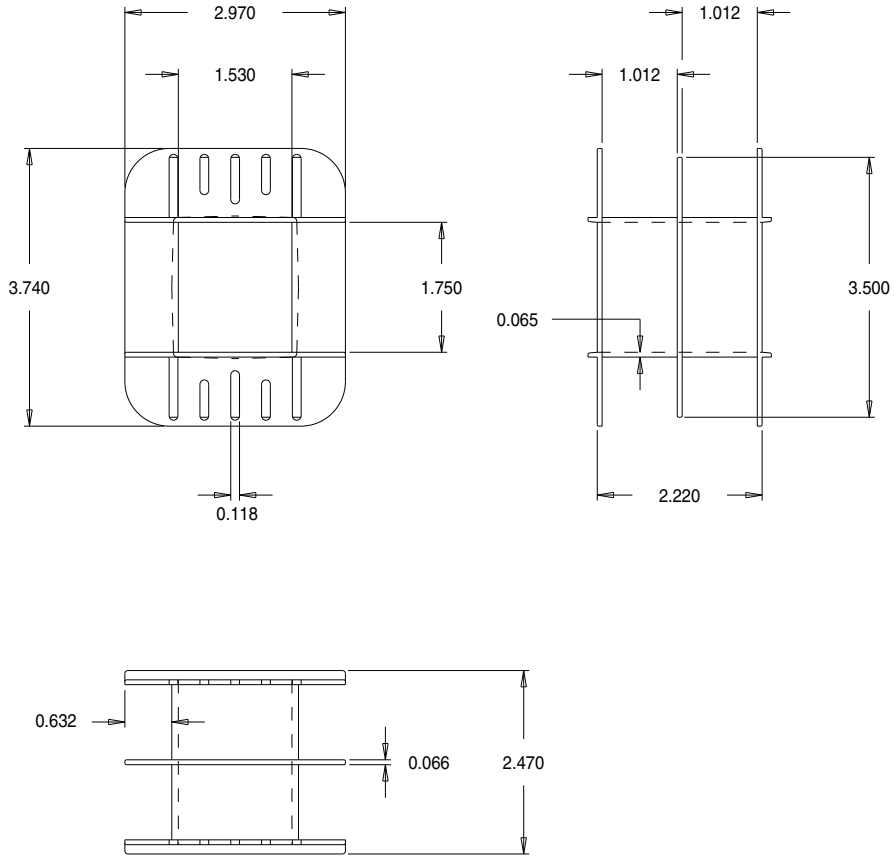


Part No. L01200

120 x 1 3/4 Double Section 'L' Range Bobbin



Dimensions in inches.



Issue 1